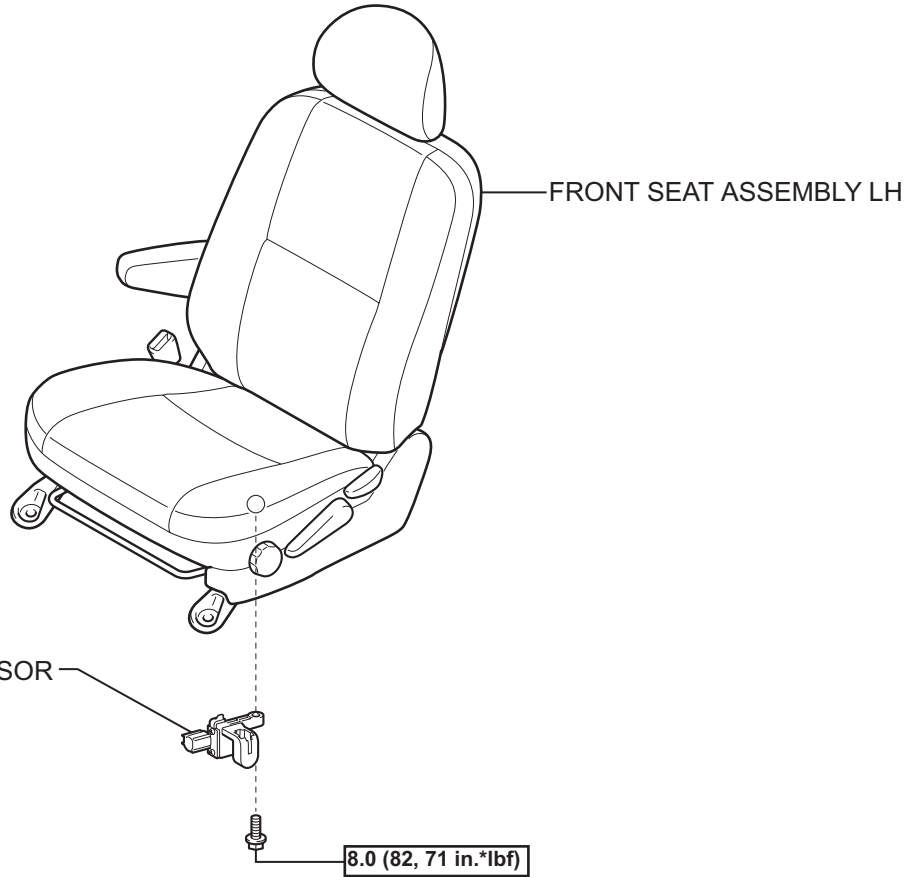


SEAT POSITION SENSOR

COMPONENTS

RS

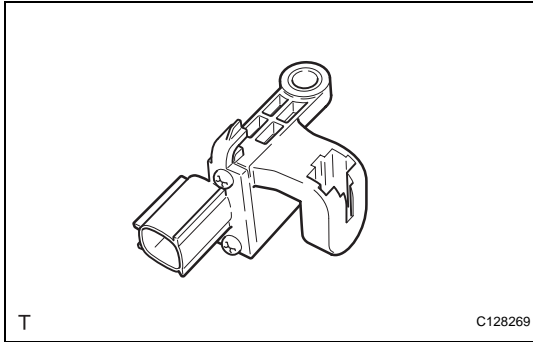


N*m (kgf*cm, ft.*lbf): Specified torque

T

ON-VEHICLE INSPECTION

1. **INSPECT SEAT POSITION SENSOR (VEHICLE NOT INVOLVED IN COLLISION)**
 - (a) Perform a diagnostic system check (See page [RS-36](#)).
2. **INSPECT SEAT POSITION SENSOR (VEHICLE INVOLVED IN COLLISION)**
 - (a) Perform a diagnostic system check (See page [RS-36](#)).
 - (b) Even if the airbag has not been deployed, check if there is any damage to the seat position sensor. If there are any defects as mentioned below, replace the seat position sensor with a new one:
 - Cracks, dents or chips on the sensor housing.
 - Cracks or other damage to the connector.

**CAUTION:**

Be sure to follow the correct removal and installation procedures.